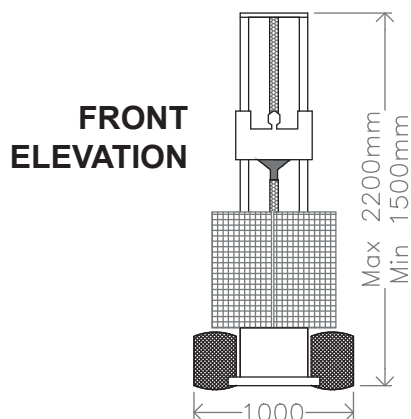
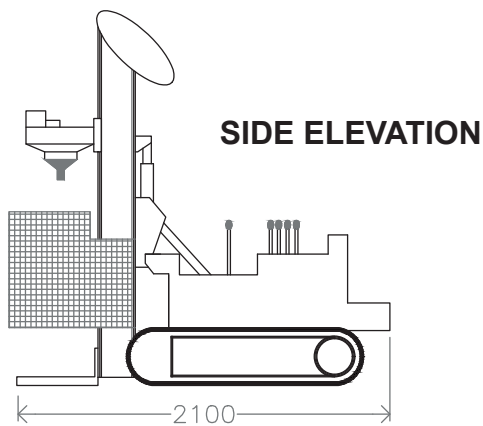


TD308 MINI AUGER PILING RIG



DIMENSIONS

Min Working Height	2200 mm
Min Working Width	1000 mm
Min Tracking Width	725 mm
Length	2100 mm
Weight	1.5 t
Diameter	0.15 - 0.35 m

POWER

Separate Power Pack.

FEATURES

- Rubber tracks.
- Stabalising jacks to front and rear.
- Separate power pack can be sited outside the building, to eliminate fumes.
- Hydraulic track width adjustable.

WORKING RESTRICTIONS

- Minimum distance from internal corners 0.85 m.
- Minimum distance from walls 0.45 m.