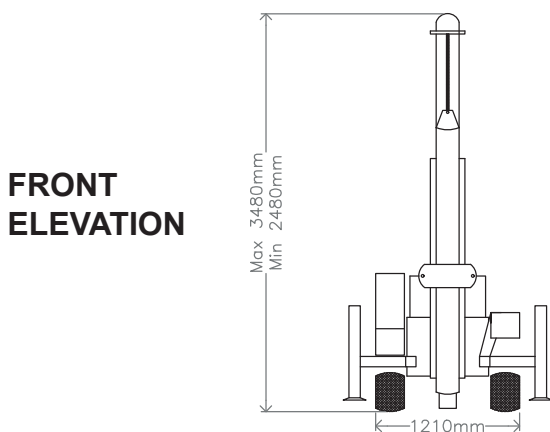
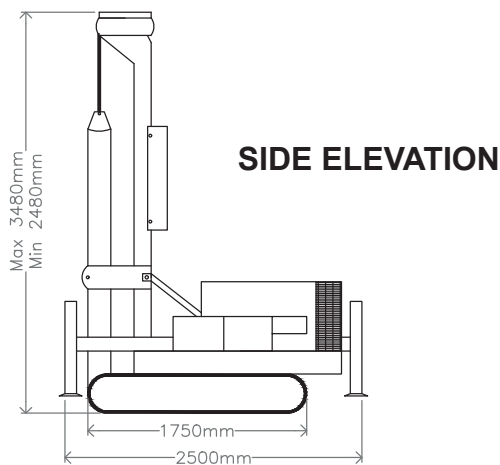


D1000 MINI DROP HAMMER PILING RIG



DIMENSIONS

Working Height	2.48 - 3.48 m
Width	1.21 - 2.650 m
Length	2.50 m
Diameter	0.15 - 0.273 m
Weight	2.4 t

POWER

25 hp 2 cylinder Hatz Silent Power Pack.

FEATURES

- Rubber tracks.
- Hydraulic stabilising jack to front and rear.
- Hammer weight 500 - 1000 kg.
- Minimal site preparation.

WORKING RESTRICTIONS

- Minimum distance from internal corners 850 mm.
- Minimum distance from walls 400 mm.