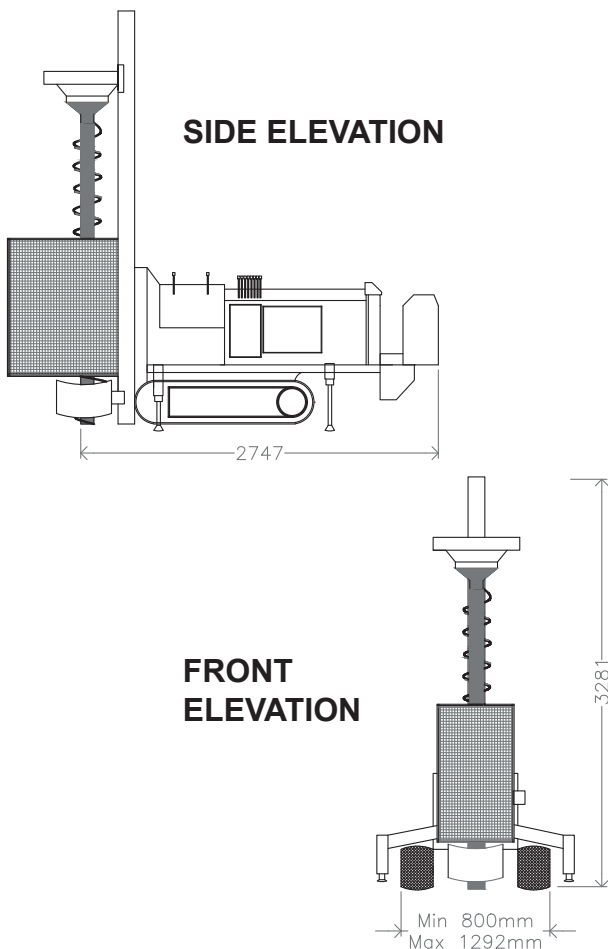


C3000 MINI AUGER PILING RIG



DIMENSIONS

Minimum Working Height	3.30 m
Minimum Working Width	1.30 m
Minimum Travelling Width	0.78 m
Length	2.75 m
Weight	1.50 t
Diameter	0.15 - 0.35 m

POWER

Kubota 3 cylinder, D1105, 25 BHP.

FEATURES

- Adjustable rubber tracks.
- Hydraulic front and rear stabilisers.
- Highly manouverable.

WORKING RESTRICTIONS

- Minimum distance from internal corners 0.80 m.
- Minimum distance from walls 0.400 m.